

DRINKS | Backbars

BACK BARS | HINGED DOORS

BBA 148



40 mm	K1	+0°C +7°C	D ENERGY CLASS	CC1	+25°C 60RH
Key icon	Door icon	Defrost icon	Compressor icon	Fan icon	GAS R600a
					LED

DETAILS

Digital Thermostat	Internal stainless steel mirror effect	Lock fitted as standard
Chromed shelves	External curve handle	

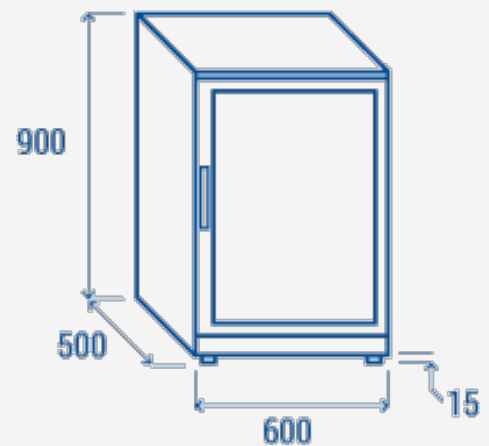
GENERAL FEATURES

- N.1 Hinged stainless steel door BACK BAR
- Black coated steel for external side and mirror stainless steel for internal
- Item with shiny finishing and total height at 900mm
- Roll-bond evaporator system with fan assisted cooling
- Automatic compressor cycle defrost
- Foaming Agent Cyclopentane (40mm per side)
- Digital Thermostat
- Self Closing Door
- Removable Gasket
- Adjustable shelves: 2 Pcs
- Toughened safety tempered glass with steel frame
- Lock fitted as standard
- Inner horizontal LED light
- Independent switches: Main (Green Color) and inner LED light (Red Color)
- N.4 Adjustable feet
- Energy efficiency class: D

TECHNICAL SPECIFICATIONS

External Dimensions (WxDxH mm)	600x500x900
Internal Dimensions (WxDxH mm)	510x355x745
Noise level	55 dB(A)
Consumption	1.263 kWh/24h
Capacity	138 L
Rated Power	135 W
Net Weight	44 Kg
Temperature	K1 (0°C-+7°C)
Gross Weight	46 Kg
Packaging dimensions (WxDxH mm)	655x560x950
Loading quantities 20'/40'/40'HQ	72/144/144

PRODUCT DIMENSIONS



CERTIFICATION

CE RoHS