



Dishwashing

EVO Generation - Concept

HOOD TYPE DISHWASHER CO-172 DD

DIMENSIONS

		<u>Article</u>	<u>Packed</u>
Length	mm	665,00	870,00
Depth	mm	775,00	950,00
Height	mm	1.540,00	1.750,00
Weigth	Kg	135,00	150,00
Volumen	m3		1,45

ELECTRICITY

<u>Electric power</u>	KW		17,70
230V - I+N		2x25+T - 100 A	
230V - III		3x10+T - 63 A	
400V - III+N		4x4+T - 32 A	

WATER

Water consumption (lit/h)		144,00
Pressure (Kg/cm2)		2 ÷ 4

GAS

Not used

STEAM

Not used

AIR

Not used

LEVEL SOUND

(dB) **65,00**

DISHWASHER CO-172 DD

Hood type dishwasher - EVO Generation - Concept range.

Hourly production: 65 baskets/hour - 1170 dishes/hour.

Clearance (max ware height): 440 mm.

Electronic control.

Wash cycles: 55" - 75" - 120".

Made of stainless steel.

Counterbalanced hood.

Double rotating wash and rinse systems, made of AISI-304 stainless steel.

Tray filters on the tank, made of AISI-304 stainless steel.

Two wash pumps, 600 W each.

Tank with 4.5 kW heating power.

Tank capacity: 34 litres.

Boiler heating power: 12 kW.

Boiler capacity: 9 litres.

Water consumption: 2.4 litres/rinse.

Thermostatic temperature control: washing at 60°C and rinsing at 90°C.

Thermostop.

Safety thermostats.

Built-in automatic rinse dispenser and detergent doser.

Built-in non-return valve.

Safety magnetic switch for hood opening.

Adjustable legs.

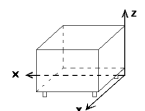
Water protection rating: IPX4

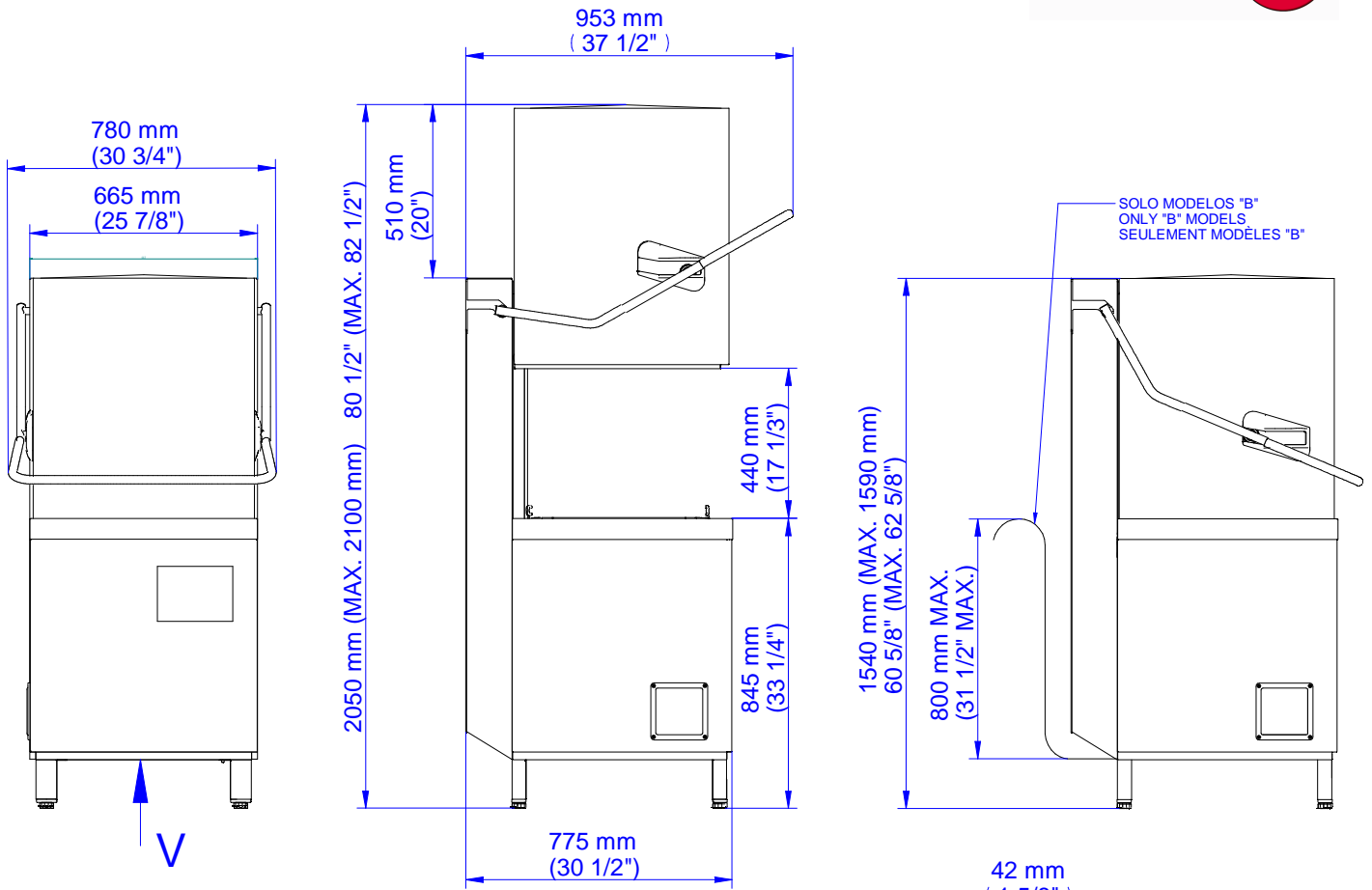
Total power: 17,70 kW.

Dimensions: 665 x 775 x 1540 mm (2050 mm open hood).

Baskets equipment: 1 x CT-10, 1 x CP-16/18 and 8 cutlery containers.

Connections points	X	Y	Z	Diameter	Information
ELECTRICITY	210	50	65		
SOFT COLD WATER	305	50	65	3/4"	
DRAIN	370	50	65	30 x 25	





A: ENTRADA DE AGUA
E: ALIMENTACIÓN ELÉCTRICA
D: DESAGÜE

A: WATER INLET
E: ELECTRICAL CONNECTION
D: DRAIN

A: ARRIVÉE D'EAU
E: CONNEXION ÉLECTRIQUE
D: VIDANGE

V

