

DISPLAY | Countertop Displays

REFRIGERATED SHOWCASES UPRIGHT | BLACK

RC 78B



GAS R600a
H1 +1°C / +10°C
ENERGY CLASS C 4 +30°C/55RH

LED
LED
LED

DETAILS

Door handle

Inner vertical LED light

Digital Thermostat

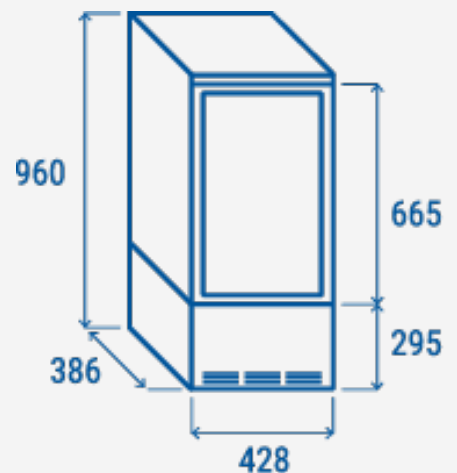
GENERAL FEATURES

- 78 Lt. Upright refrigerated showcase (Black Color)
- Flat glass with black frame and plastic basement
- Ventilated Cooling
- Automatic compressor cycle defrost
- Digital display control
- Interior LED light
- Toughened safety glass
- Adjustable shelves (N.3 Pcs)
- N.4 fix support assembled under the basement
- Energy efficiency class: C

TECHNICAL SPECIFICATIONS

| | |
|----------------------------------|-----------------|
| External Dimensions (WxDxH mm) | 428x386x960 |
| Internal Dimensions (WxDxH mm) | 400x370x600 |
| Noise level | 43 dB(A) |
| Consumption | 2.748 kWh/24h |
| Capacity | 78 L |
| Rated Power | 180 W |
| Net Weight | 34 Kg |
| Temperature | H1 (+1°C-+10°C) |
| Gross Weight | 41 Kg |
| Packaging dimensions (WxDxH mm) | 475x432x1158 |
| Loading quantities 20'/40'/40'HQ | 126/252/252 |

PRODUCT DIMENSIONS



CERTIFICATION

CE RoHS



COOL HEAD EUROPE
We make the world a cooler place



www.coolheadeurope.com