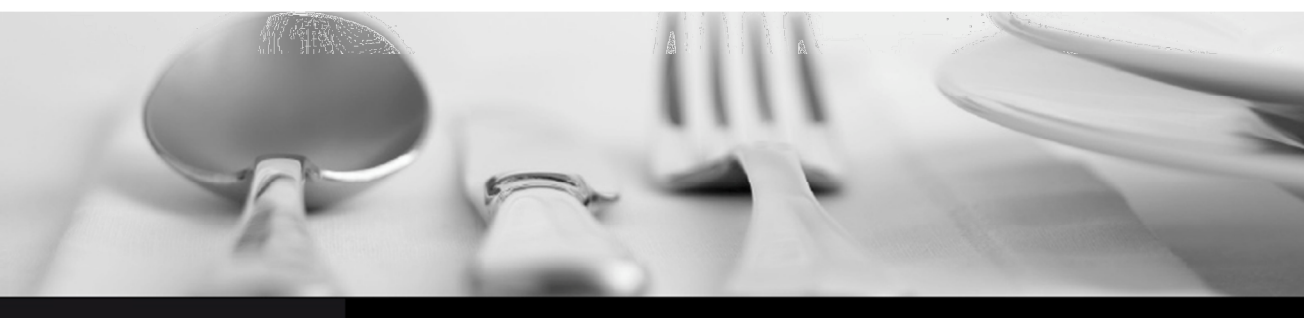


DESPIECE TÉCNICO TECHNICAL PARTS

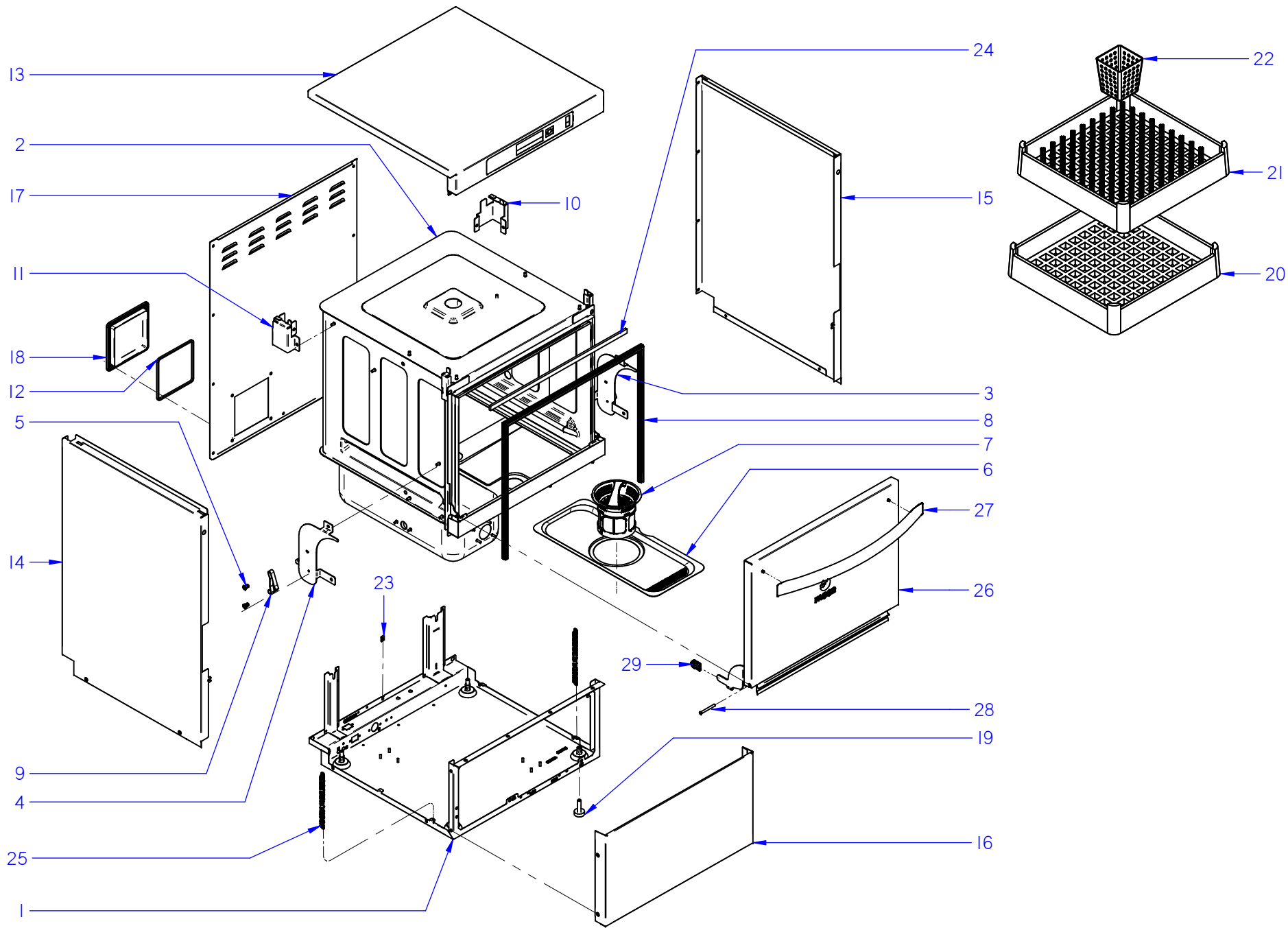
Lavavajillas
Dishwasher

MODELOS
AD-505 / SOFT

Diciembre 2014 December
Revisado Diciembre 2014 December Revised

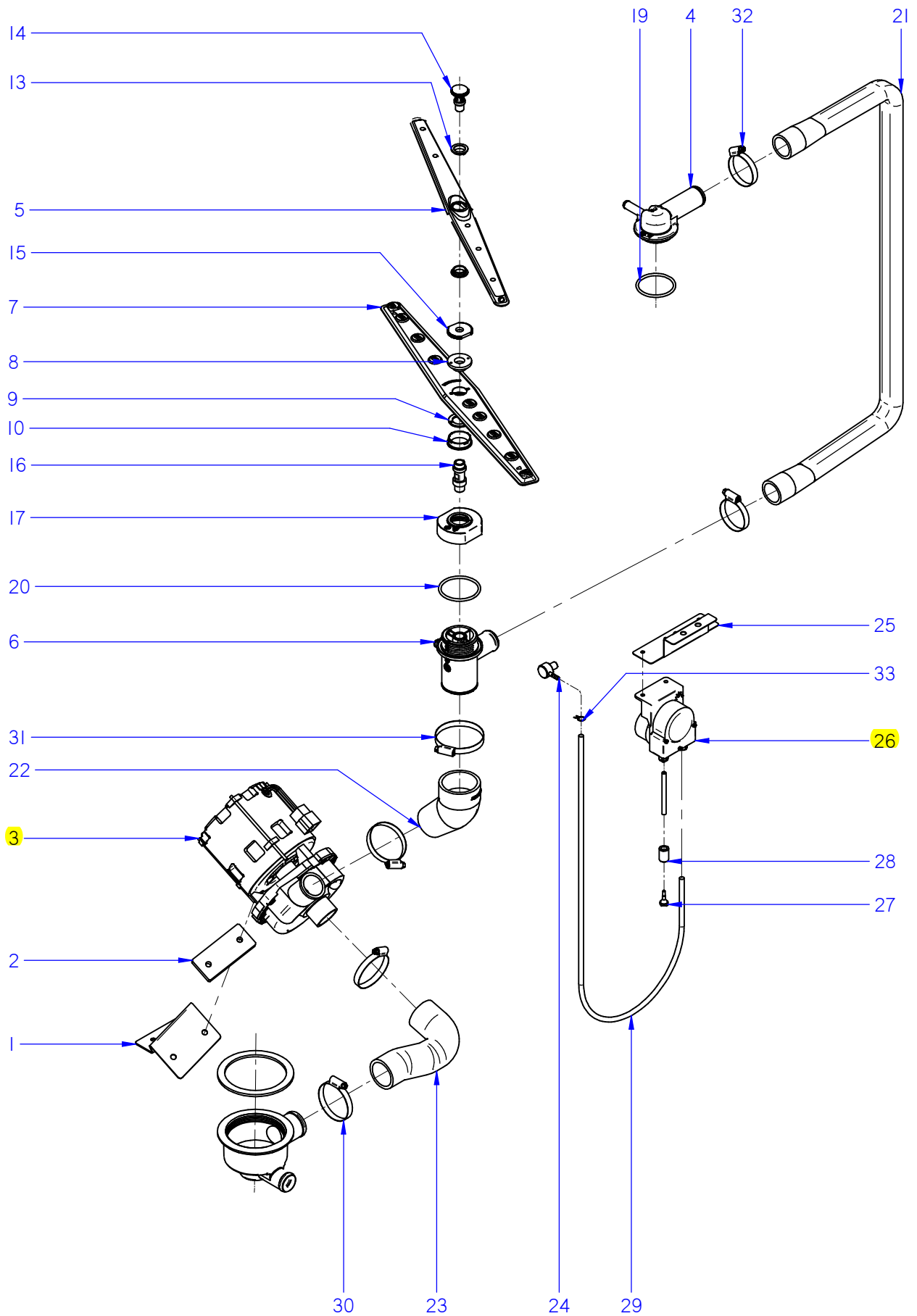


ITEM MARCADO EN COLOR = REPUESTO RECOMENDADO
 COLOURED ITEM = RECOMMENDED SPARE PART



ZONA / ZONE	ARMAZON / FRAME	LÁMINA / DRAWING	C-3280	FAGOR 
--------------------	------------------------	-------------------------	---------------	--

ITEM	REFERENCIA REFERENCE	DENOMINACIÓN	DENOMINATION	AD-505								RECOMMENDED	ELIMINADO ELIMINATED	INTRODUCIDO INTRODUCED	NOTAS / NOTES
1	12097740	CONJUNTO_BASE_ARMAZON_AF	BASE FRAME COMPLETE	1											
2	12049295	CAJA SOLDADA ADVANCE	WELDED TUB	1											
3	12043455	SOPORTE RESORTE PUERTA DCHA	DOOR SPRING RIGHT SUPPORT	1											
4	12043457	SOPORTE RESORTE PUERTA IZDA	DOOR SPRING LEFT SUPPORT	1											
5	12043554	EJE RESORTE	SPRING SHAFT	4											
6	12043520	BANDEJA FILTRO ADVANCE	ADVANCE FILTER TRAY	1											
7	12049741	CESTILLO RECOGEDOR ADVANCE	ADVANCE DUSTPAN BASKET	1											
8	12049352	BURLETE APERTURA FRONTAL	FRONT LOADING GASKET	1											
9	12043429	RESORTE PUERTA	DOOR SPRING	2											
10	12103774	SUJECCIÓN PANEL LATERAL DCHO.	RIGHT SIDE PANEL FASTENING	1											
11	12103787	SUJECCIÓN PANEL LATERAL IZDO.	LEFT SIDE PANEL FASTENING	1											
12	12096947	JUNTA TAPA	COVER'S SEAL	1											
13	12104348	TAPA PORTAMANDOS ADVANCE	CONTROL PANEL COVER ADVANCE	1											
14	12049023	PANEL LATERAL IZDO	LEFT SIDE PANEL	1											
15	12049022	PANEL LATERAL DCHO	RIGHT SIDE PANEL	1											
16	12049021	PANEL FRONTAL	FRONT PANEL	1											
17	12120613	PANEL POSTERIOR ADVANCE	REAR PANEL ADVANCE	1											
18	12095220	TAPA PLASTICO CAJA CONEXIONES	CONNECTIONS BOX COVER	1											
19	12024163	PATA REGULABLE	REGULABLE FEET	4											
20	12025011	CESTILLO BASE CT-10	CT-10 BASE BASKET	1											
21	12024990	CESTILLO PLATOS CP-16-18	CP-16-18 PLATES BASKET	1											
22	12023745	CESTILLO CUBIERTOS	CUTLERY BASKET	1											
23	12087215	TUERCA RÁPIDA M5 MIKALOR	MIKALOR QUICK NUT M5	19											
24	12111378	ESPUMA CIERRE TAPA PORTAMAND.	CTRL. P. COVER CLOSURE FOAM	1											
25	12097279	MUELLE APERTURA FRONTAL	FRONT LOADING SPRING	2											
26	12097227	PUERTA COMPLETA	COMPLETE DOOR	1											
27	12049466	ASA PUERTA	DOOR HANDLE	1											
28	12048418	TORN_ESPECIAL_EJE_PUERTA_M6	DOOR AXIS SPECIAL SCREW M-6	2											
29	12047927	TOPE BISAGRA	HINGE DOORSTOP	2											

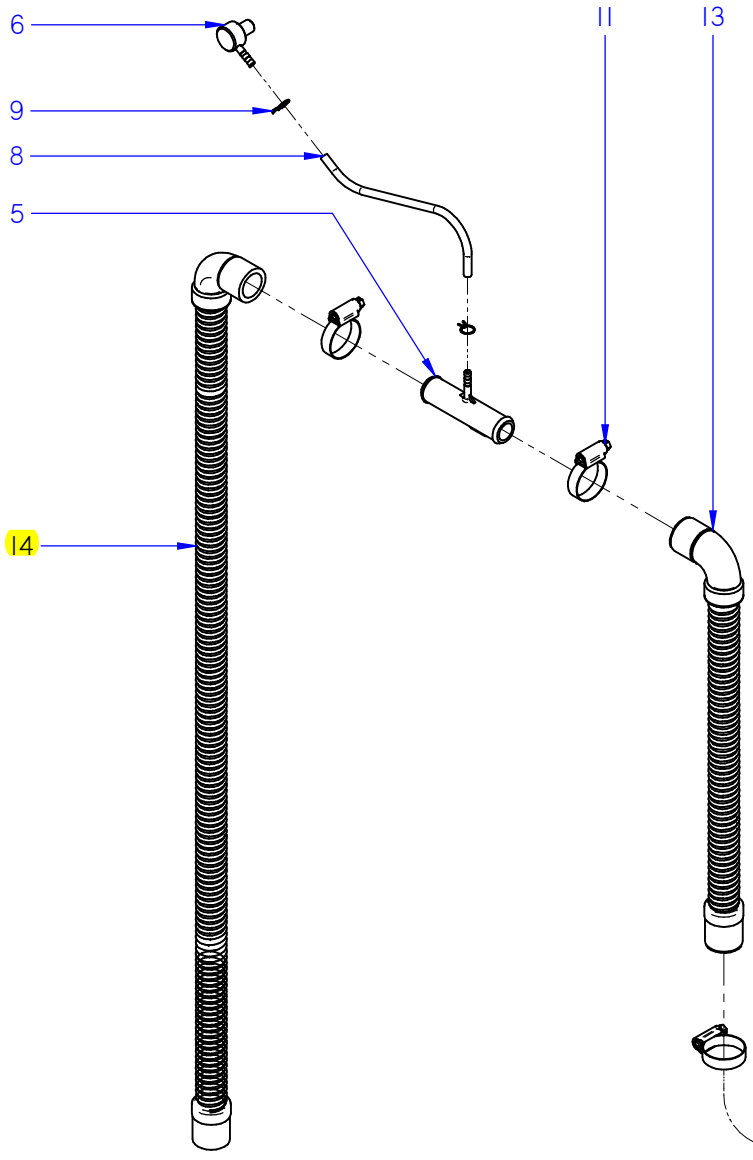
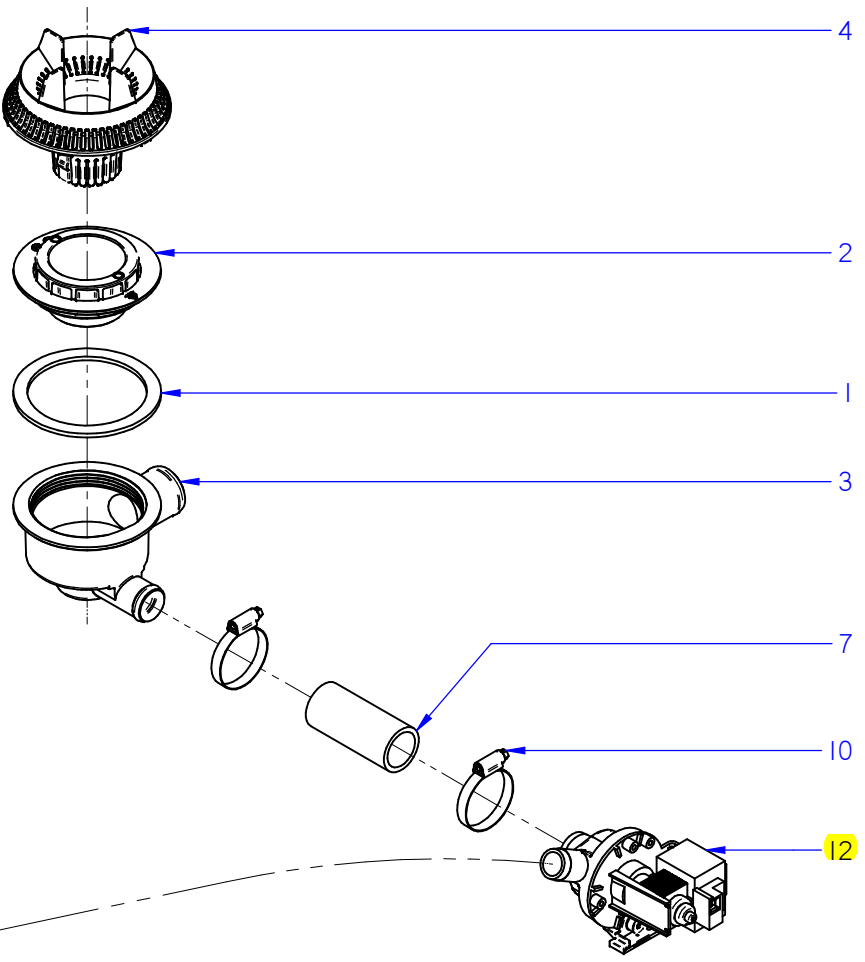


ITEM MARCADO EN COLOR = REPUESTO RECOMENDADO
 COLOURED ITEM = RECOMMENDED SPARE PART

N plano / Drawing N.	Firma / Signature	Fecha / Date	Aparato / Appliance	PARTE FUNCIONAL LAVADO / WASHING FUNCTIONAL PART	Lamina / Sheet	Fagor Industrial S.Coop. FAGOR
C-3281	Iban R.	09-2014	LAVAVAJILLAS AD-505	DISHWASHER	2	Oñate

ZONA / ZONE	PARTE FUNCIONAL LAVADO / WASHING FUNCTIONAL PART	LÁMINA / DRAWING	C-3281	FAGOR 
--------------------	---	-------------------------	---------------	--

ITEM	REFERENCIA REFERENCE	DENOMINACIÓN	DENOMINATION	AD-505								RECOMMENDED	ELIMINADO ELIMINATED	INTRODUCIDO INTRODUCED	NOTAS / NOTES
1	12043784	SOPORTE BOMBA LAVADO	WASHIG PUMP SUPPORT	1											
2	12023556	BASE BOMBA LAVADO 1003016	WASHIG PUMP BASE 1003016	1											
3	12043287	MOTOBOMBA 590KW 50Hz	WASHIG PUMP 590KW 50Hz	1								X			
3	12102834	MOTOBOMBA 590KW 60Hz	WASHIG PUMP 590KW 60Hz	1								X			
4	12041614	SOP. DISTRIBUIDOR SUPERIOR	UPPER SPRY-ARM SUPPORT	1											
5	12103611	DISTRIBUIDOR ACLARADO E.PULIDO	ELEC.POLISHED RINSE SPRY-ARM	1											
6	12047863	SOP. DISTRIBUIDOR INFERIOR	LOWER SPRY-ARM SUPPORT	1											
7	12094577	DISTRIB. ELECTROPULIDO	ELETROPULISHED DISTRIBUTOR	2											
8	12110631	ENGANCHE DISTRIBUIDOR LATON	LATON DISTRIBUTOR HOOK	2											
9	12024289	AMARRE ENGANCHE DISTRIBUI	DISTRIBUTOR HOOK FASTENING	2											
10	12041629	PROTECTOR FUGAS	LEAKAGE PROTECTOR	2											
13	12041628	PROTECTOR FUGAS ACLARADO	RINSE LEAKAGE PROTECTOR	4											
14	12043422	EJE ACLARADO	RINSE SHAFT	2											
15	12043288	TUERCA ESPECIAL	SPECIAL NUT	2											
16	12043289	EJE LAVADO FRONTAL ADVANCE	WASHING SHAFT FRONT LOADING	2											
17	12047847	AMARRE SOPORTE DISTR. INFERIOR	LOW. DISTRIB. SUPPORT FASTENING	1											
19	12049055	JUNTA TORICA Ø50,39 x 3,53	O-RING Ø50,39 x 3,53	1											
20	12049052	JUNTA 53,57x3,53 SOP DISTRI INFE	O-RING Ø53,57 x 3,53 LOW. DISTRIB.	1											
21	12041930	ARBOL LAVADO	WASHING TREE	1											
22	12103942	CODO IMPULSION ADVANCE	EXPULSION ELBOW ADVANCE	1											
23	12041927	COD ASPIRACION ADVANCE	SUCTION ELBOW ADVANCE	1											
24	12024531	INYECTOR DETERGENTE INOX	DETERGENT INJECTOR	1											
25	12091830	SOPORT. DOSIFICADORES ADVANCE	DISPENSERS SUPPORT ADVANCE	1											
26	12024216	DOSIFIC. DGTE REGULABLE G300	REGUL. DETERG. DISPENSER G300	1								X			
27	12024139	CONDUCTO ASPIRACIÓN AZKOY CO	AZKOY SUCTION PIPE	1											
28	12024353	PESO FILTRO	FILTER'S WEIGHT	1											
29	11000079	CONDUCTO DOSIF. TRANSP 6X4	DISPENSER TRANSPARENT PIPE	1											
30	12009962	ABRAZADERA 40-60	40-60 CLAMP	3											
31	12009933	ABRAZADERA 50-70L	50-70L CLAMP	1											
32	12009986	ABRAZADERA 32-50L	32-50L CLAMP	2											
33	12023707	BRIDA ELASTICA TUBO	ELASTIC CLAMP FOR PIPES	1											



ITEM MARCADO EN COLOR = REPUESTO RECOMENDADO
 COLOURED ITEM = RECOMMENDED SPARE PART

N plano / Drawing N.	Fecha / Date	Aparato / Appliance	Lamina / Sheet
C-3282	2014-09	LAVAVAJILLAS AD-505 DISHWASHER	3
Firma / Signature		DESAGÜE / DRAINING PART	Fagor Industrial S. Coop. FAGOR
Iban R.			Onate

C-3283

N.º plano / Drawing N.

Iban R

Firma /
Signature

2014-09

Fecha / Date

LAVAVAJILLAS AD-505 DISHWASHER

Aparato / Appliance

ACLARADO / RINSING PART

4

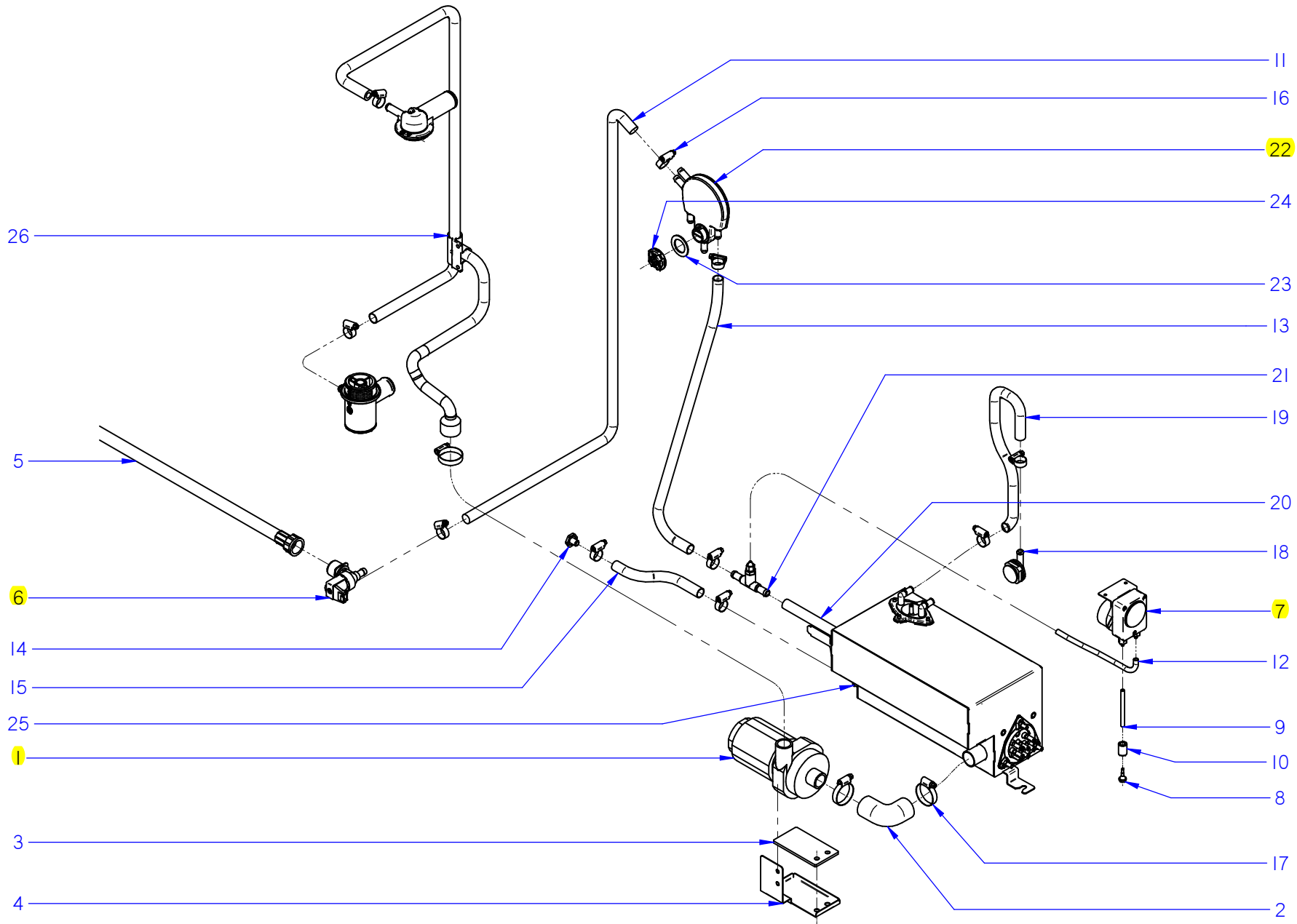
Lamina / Sheet

Opote

Fagor Industrial S. Coop.



ITEM MARCADO EN COLOR = REPUESTO RECOMENDADO
COLOURED ITEM = RECOMMENDED SPARE PART



N.º plano / Drawing N.º
C-3284

Firma /
Signature
Iban R.

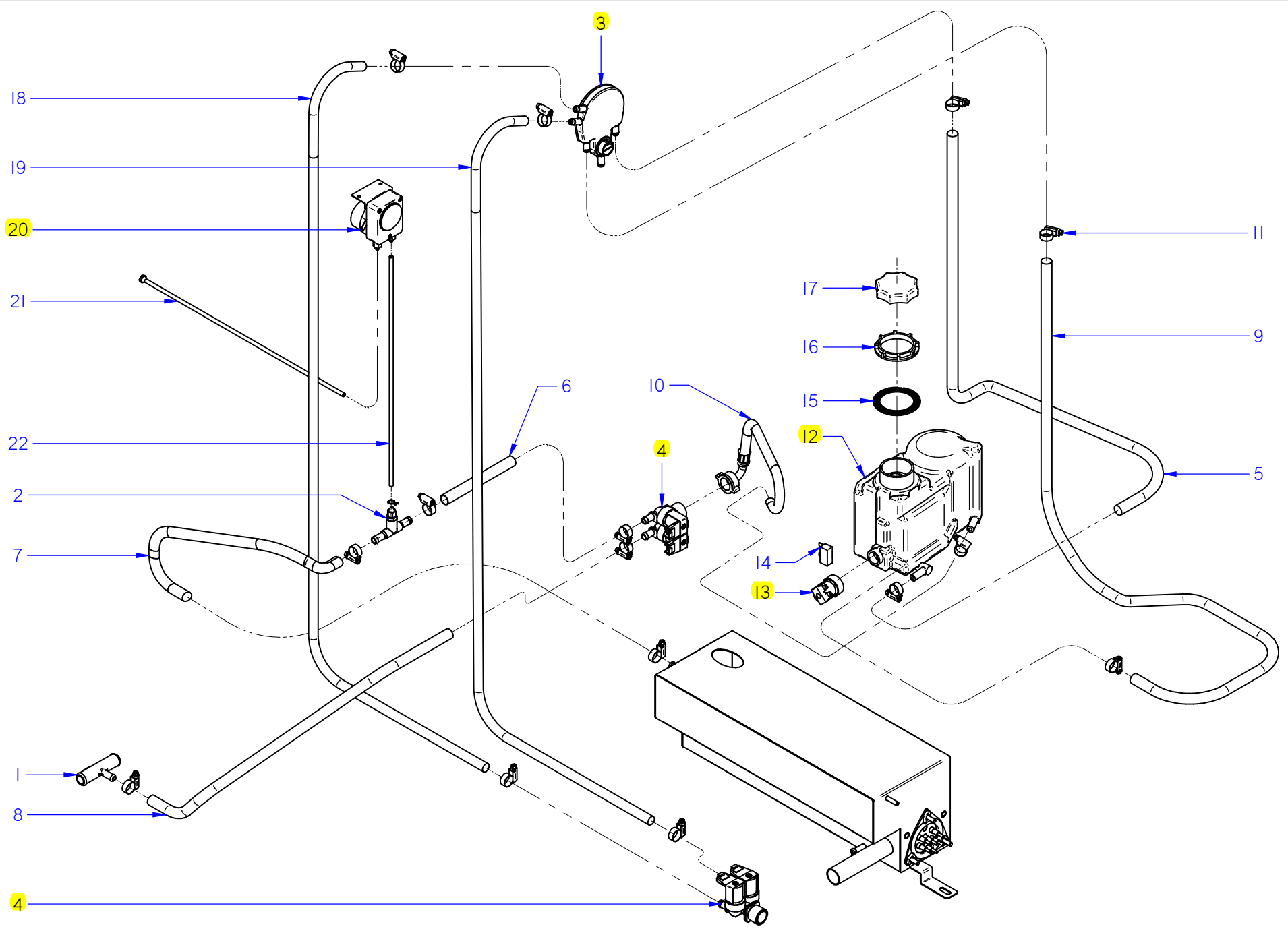
Fecha / Date
2014-11

Aparato / Appliance
LAVAVAJILLAS AD-505 SOFT DISHWASHER

Lamina
5

Fagor Industrial S. Coop.
Oparte
FAGOR

**ITEM MARCADO EN COLOR = REPUESTO RECOMENDADO
COLOURED ITEM = RECOMMENDED SPARE PART**



C-3285

N plano / Drawing N.

Iban R

Firma /
Signature

2014-09

Fecha / Date

Apaparato / Appliance
LAVAVAJILLAS AD-505 DISHWASHER
CONJUNTO ELECTRICO / ELECTRICAL PART

6

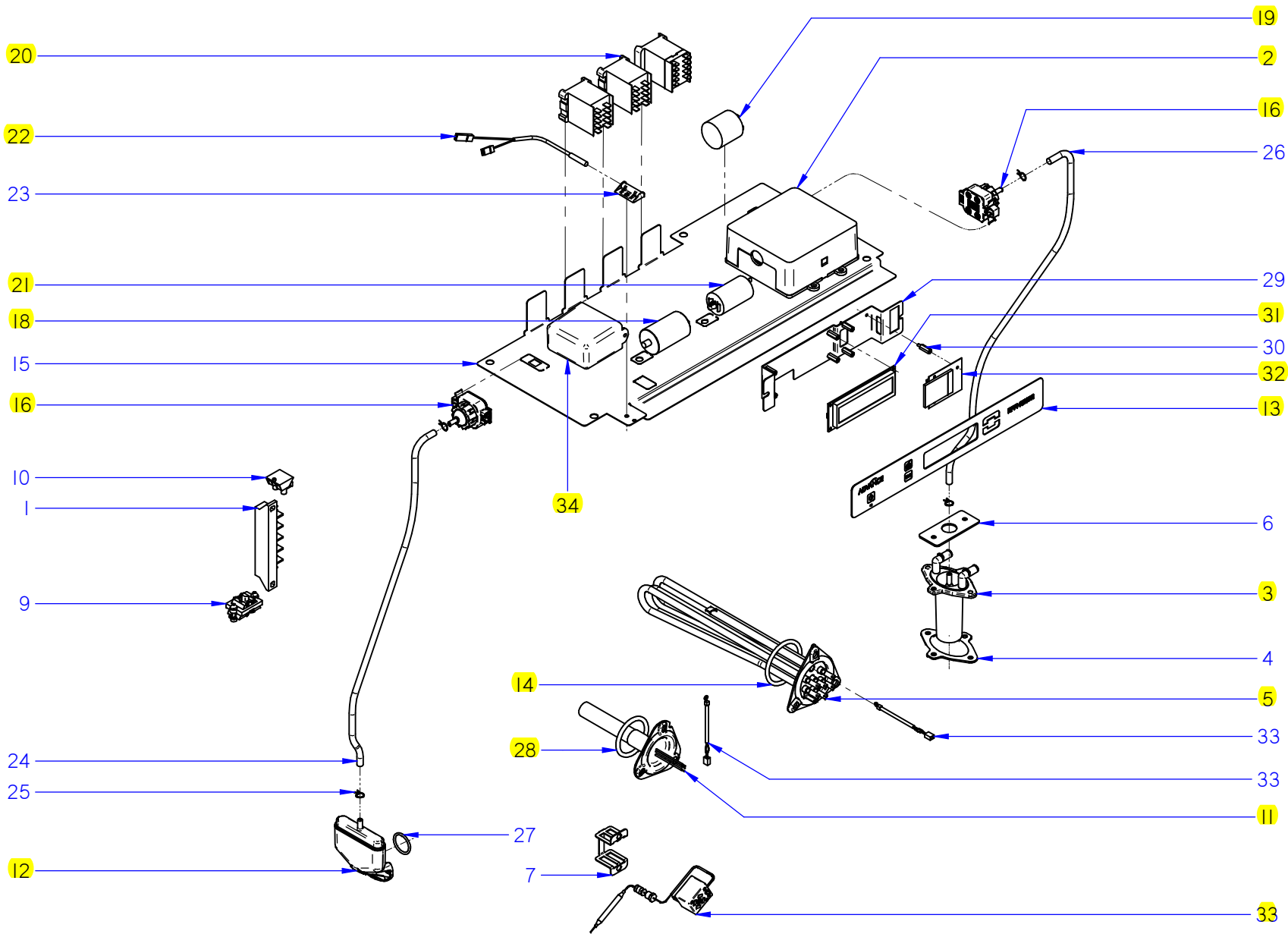
Lamina / Sheet

Onote

Fagor Industrial S. Coop.




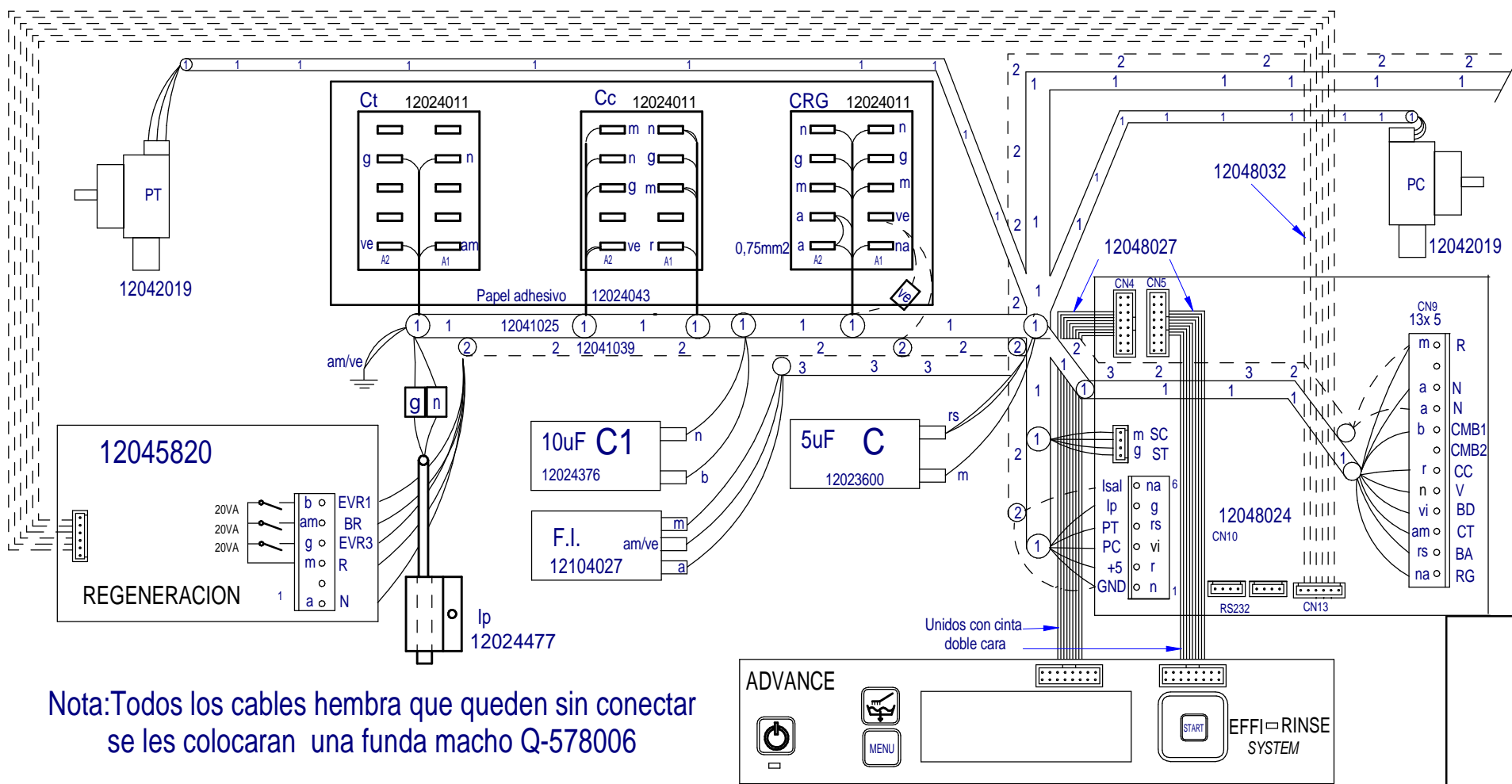
ITEM MARCADO EN COLOR = REPUESTO RECOMENDADO
COLOURED ITEM = RECOMMENDED SPARE PART



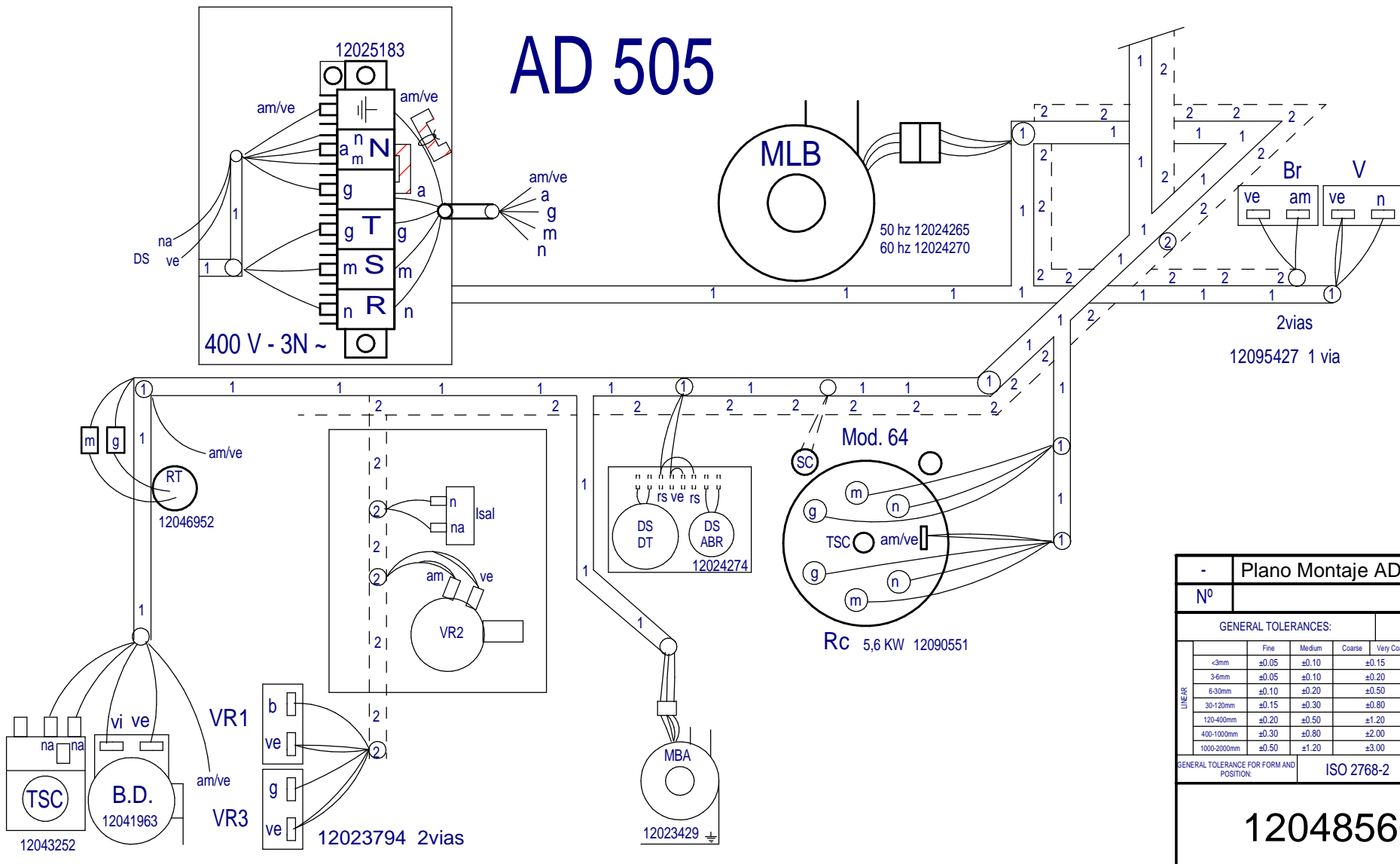
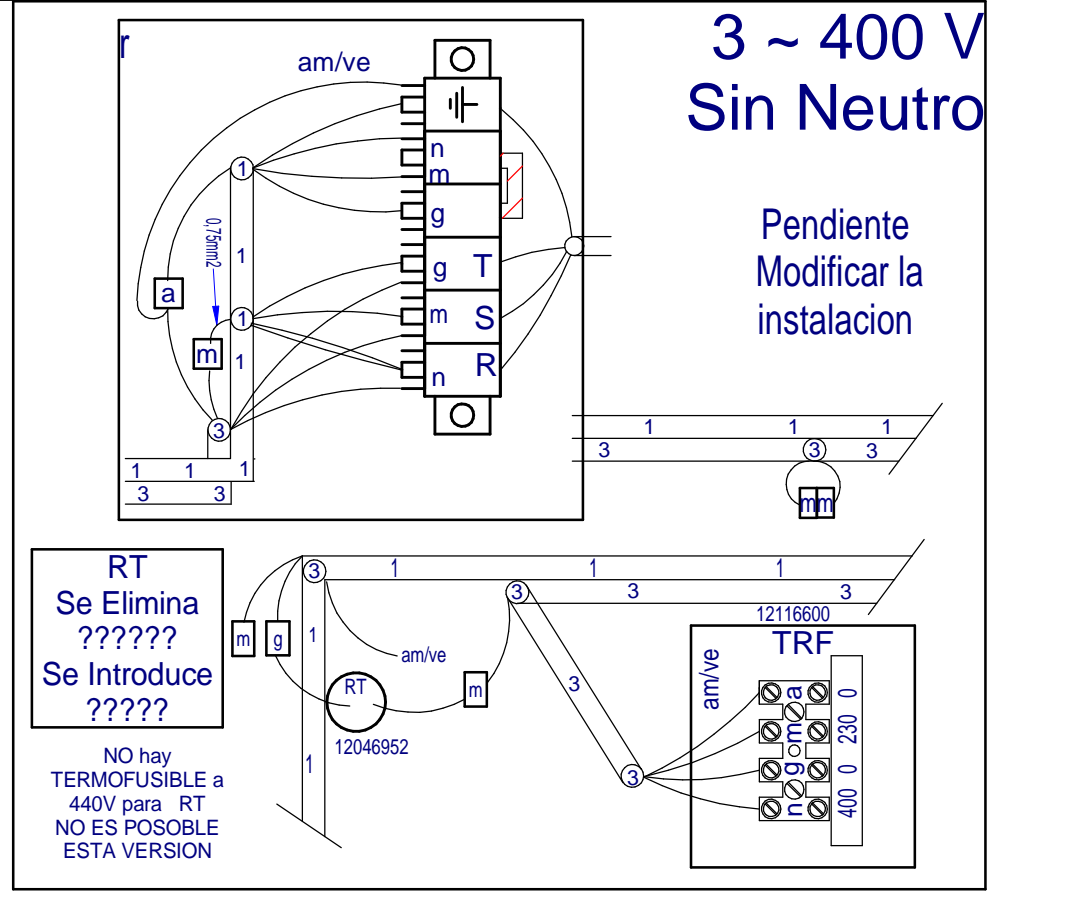
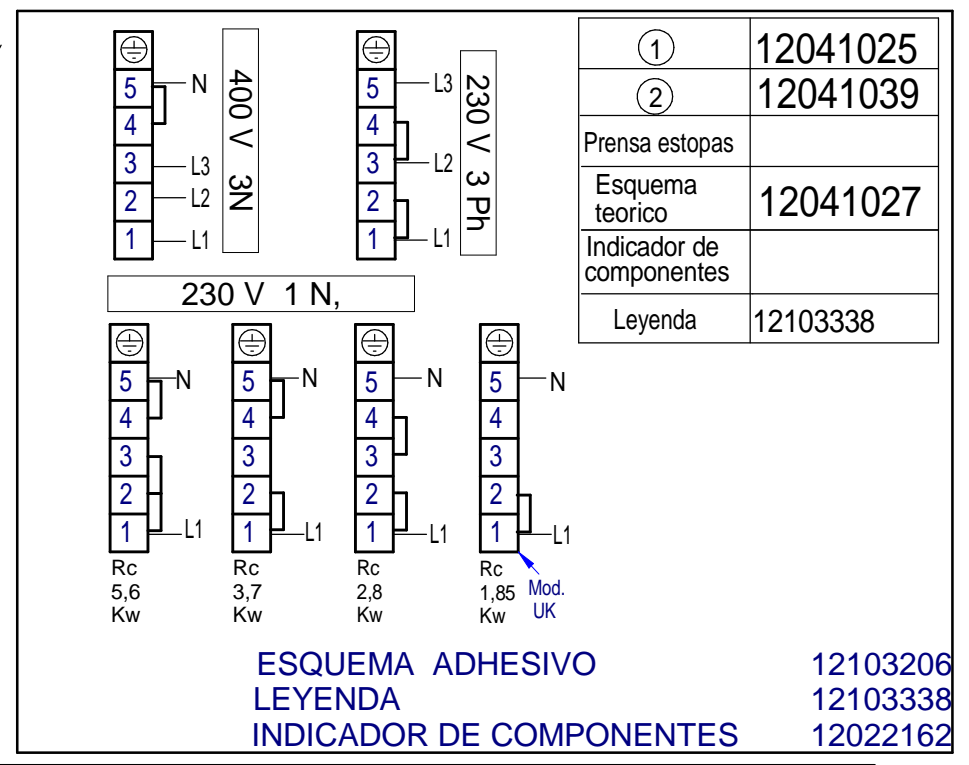
ZONA / ZONE	CONJUNTO ELECTRICO / ELECTRICAL PART	LÁMINA / DRAWING	C-3285	FAGOR 
--------------------	---	-------------------------	---------------	--

ITEM	REFERENCIA REFERENCE	DENOMINACIÓN	DENOMINATION	AD-505								RECOMMENDED	ELIMINADO ELIMINATED	INTRODUCIDO INTRODUCED	NOTAS / NOTES
1	12025183	REGLETA AUXILIAR FV-122	FV-122 AUXILIARY STRIP	1											
2	12048024	CONTROL TARJETA 8 REL. UL	8 RELAY CONTROL CARD UL	1								X			
3	12091478	CAMPANA CALDERIN	BOILER'S PRESSURE CHAMBER	1								X			
4	12118822	JUNTA CAMPANA CALDERIN	BOILER'S P.CHAMBERS SEAL	1											
5	12090551	RESISTENCIA CALDERIN 5,6KW	BOILER'S RESISTOR 5,6KW	1								X			
6	12101852	CHAPA REFUERZA CAMPANA	P. CHAMBER STRENGTHENER	1											
7	12022151	AMARRE LIMITADOR TECASA	TECASA THERMOST. SUPPORT	1											
8	12023830	LIMITADOR TECASA P. 125°C	TECASA THERMOSTAT 125°C	1											
9	12024230	RETENEDOR DE CABLE	CABLE RETAINER	1											
10	12024110	REGLETA DE CONEXIONES	CONNECTION STRIP	1											
11	12046952	RESIS. 0,8KW 135MM SIMPLE UL	0,8kW 135MM SIMPLE RESIST	1								X			
12	12093146	CAMPANA TANQUE	TUB'S PRESSURE CHAMBER	1								X			
13	12096763	EMBELLECEDOR ADVANCE	ADVANCE STICKER	1								X			
14	12118319	JUNTA TÓRICA RESIS. CALDERIN	BOILER RESISTOR'S O-RING	1								X			
15	12044604	SOPORTE CUADRO ELECTRICO	ELECTRIC BOARD SUPPORT	1											
16	12042019	PRESOSTATO SIMPLE 2 BAR.	2 BAR PRESSURE SWITCH	2								X			
18	12024376	CONDENSADOR 10MF	10MF CAPACITOR	1								X			
19	12104027	CONDENSADOR PARASIT 1A 0,47µF	PARASITIC CONDENSER 1A 0,47µF	1								X			
20	12024011	CONTACTOR 230 V. 50-60 HZ	230 V. 50-60 HZ CONTACTOR	3								X			
21	12023600	CONDENSADOR 5 µF	5MF CAPACITOR	1								X			
22	12024477	INTERRUPTOR MAGNETICO	MAGNETIC SWITCH	1								X			
23	12024066	AMARRE INTERRUPTOR MAGNETICO	MAGNETIC SWITCH'S SUPPORT	1											
24	11000066	TUBO GOMA NEGRO D 8x4	D 8x4 BLACK RUBBER PIPE	1											
25	12023707	BRIDA ELASTICA TUBO	ELASTIC CLAMP FOR PIPES	4											
26	11000066	TUBO GOMA NEGRO D 8x4	D 8x4 BLACK RUBBER PIPE	1											
27	12093145	JUNTA TORICA CAMPANA	PRESSURE CHAMBER'S O-RING	1											
28	12102062	JUNTA TÓRICA RESIS. TUBULAR	TUBULAR RESISTOR'S O-RING	1								X			
29	12101686	SOPORTE DISPLAY+BACKLIGHT	DISPLAY+BACKLIGHT SUPPORT	1											
30	12025260	DISTANCIADOR M3	M3 SPACER	7											
31	12048027	VISUALIZADOR 12V DC 32 DIG.	12V DC 32 DIGITS DISPLAY	1								X			
32	12097036	BACKLIGHT	BACKLIGHT	1								X			
33	12025036	CONJUNTO SONDA 64kOHM NTC	64kOHM NTC THERMOSTAT	2											

ZONA / ZONE		RECOMENDADOS / RECOMMENDED					LÁMINA / DRAWING					FAGOR 		
ITEM	REFERENCIA REFERENCE	DENOMINACIÓN	DENOMINATION	AD-505	AD-505 SOFT							ELIMINADO ELIMINATED	INTRODUCIDO INTRODUCED	NOTAS / NOTES
3	12043287	MOTOBOMBA 590KW 50Hz	WASHIG PUMP 590KW 50Hz	1	1									C-3281
3	12102834	MOTOBOMBA 590KW 60Hz	WASHIG PUMP 590KW 60Hz	1	1									C-3281
26	12024216	DOSIFIC. DGTE REGULABLE G300	REGUL. DETERG. DISPENSER G300	1	1									C-3281
12	12094265	BOMBA 220V AC 1N 50/60Hz 30W	220V AC 1N 50/60Hz 30W PUMP	1	1									C-3282
1	12024233	BOMBA ACLARADO HANNING	HANNING RINSING PUMP	1	1									C-3283
6	12095427	E.V SIMPLE 220V SALIDA A 90º	SIMPLE E.V 90º EXIT	1	-									C-3283
7	12092198	DOSIFICADOR ABRILLANTADOR	RINSE DISPENSER	1	1									C-3283
22	12091121	AIR BREAK	AIR BREAK	1	1									C-3283
4	12110531	E.V.DOBLE 220/240V 50/60Hz	DOUBLE EV 220/240V 50/60Hz	-	2									C-3284
12	12044603	DESCALCIFICADOR COMPLETO	COMPLETE SOFTENER	-	1									C-3284
2	12048024	CONTROL TARJETA 8 REL. UL	8 RELAY CONTROL CARD UL	1	1									C-3285
3	12091478	CAMPANA CALDERIN	BOILER'S PRESSURE CHAMBER	1	1									C-3285
4	12097993	JUNTA CAMPANA CALDERIN	BOILER'S P.CHAMBERS SEAL	1	1									C-3285
5	12090551	RESISTENCIA CALDERIN 5,6KW	BOILER'S RESISTOR 5,6KW	1	1									C-3285
11	12046952	RESIS. 0,8KW 135MM SIMPLE UL	0,8kW 135MM SIMPLE RESIST	1	1									C-3285
12	12093146	CAMPANA TANQUE	TUB'S PRESSURE CHAMBER	1	1									C-3285
13	12096763	EMBELLECEDOR ADVANCE	ADVANCE STICKER	1	1									C-3285
14	12118319	JUNTA TÓRICA RESIS. CALDERIN	BOILER RESISTOR'S O-RING	1	1									C-3285
16	12042019	PRESOSTATO SIMPLE 2 BAR.	2 BAR PRESSURE SWITCH	2	2									C-3285
18	12024376	CONDENSADOR 10MF	10MF CAPACITOR	1	1									C-3285
19	12104027	CONDENSADOR PARASIT 1A 0,47µF	PARASITIC CONDENSER 1A 0,47µF	1	1									C-3285
20	12024011	CONTACTOR 230 V. 50-60 HZ	230 V. 50-60 HZ CONTACTOR	3	3									C-3285
21	12023600	CONDENSADOR 5 µF	5MF CAPACITOR	1	1									C-3285
22	12024477	INTERRUPTOR MAGNETICO	MAGNETIC SWITCH	1	1									C-3285
28	12102062	JUNTA TÓRICA RESIS. TUBULAR	TUBULAR RESISTOR'S O-RING	1	1									C-3285
31	12048027	VISUALIZADOR 12V DC 32 DIG.	12V DC 32 DIGITS DISPLAY	1	1									C-3285
32	12097036	BACKLIGHT	BACKLIGHT	1	1									C-3285
40	12120189	CONTROL TARJETA 12V DC 6 REL.	6 REALY 12V CONTROL CARD	-	1									C-3285



Nota: Todos los cables hembra que queden sin conectar se les colocaran una funda macho Q-578006



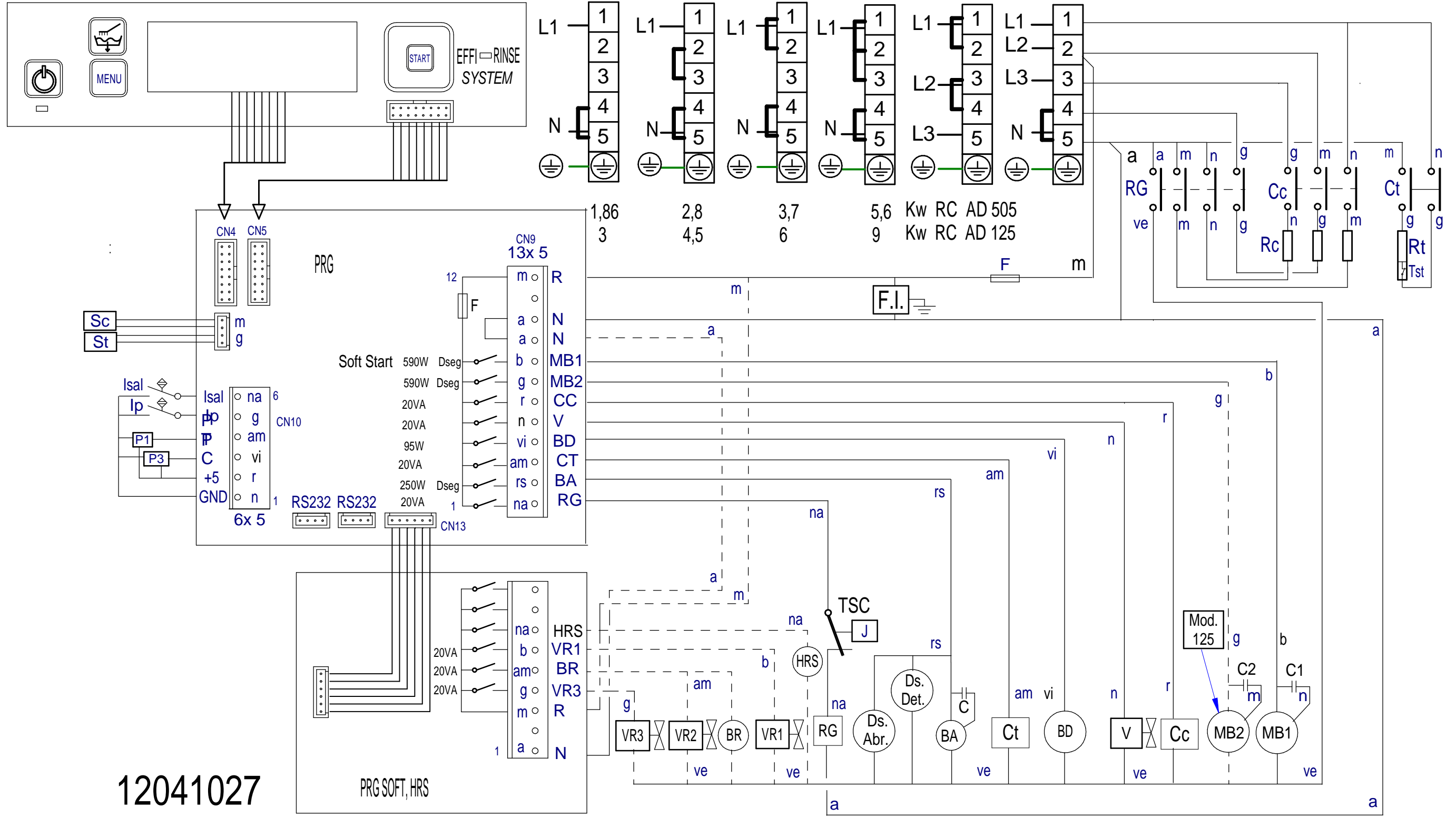
Plano Montaje AD 505 (64)		12048560																																																																							
Nº	TITLE	QTY	CODE																																																																						
GENERAL TOLERANCES:		ISO 2768-1																																																																							
Very Coarse		Very Coarse																																																																							
<table border="1"> <tr> <th>LINEAR</th> <th>Fine</th> <th>Medium</th> <th>Coarse</th> <th>Very Coarse</th> </tr> <tr> <td><3mm</td> <td>±0.05</td> <td>±0.10</td> <td>±0.15</td> <td>±0.20</td> </tr> <tr> <td>3-6mm</td> <td>±0.05</td> <td>±0.10</td> <td>±0.20</td> <td>±0.30</td> </tr> <tr> <td>6-30mm</td> <td>±0.10</td> <td>±0.20</td> <td>±0.50</td> <td>±1.00</td> </tr> <tr> <td>30-120mm</td> <td>±0.15</td> <td>±0.30</td> <td>±0.80</td> <td>±1.20</td> </tr> <tr> <td>120-400mm</td> <td>±0.20</td> <td>±0.50</td> <td>±1.20</td> <td>±2.00</td> </tr> <tr> <td>400-1000mm</td> <td>±0.30</td> <td>±0.80</td> <td>±2.00</td> <td>±3.00</td> </tr> <tr> <td>1000-2000mm</td> <td>±0.50</td> <td>±1.20</td> <td>±3.00</td> <td>±5.00</td> </tr> </table>		LINEAR	Fine	Medium	Coarse	Very Coarse	<3mm	±0.05	±0.10	±0.15	±0.20	3-6mm	±0.05	±0.10	±0.20	±0.30	6-30mm	±0.10	±0.20	±0.50	±1.00	30-120mm	±0.15	±0.30	±0.80	±1.20	120-400mm	±0.20	±0.50	±1.20	±2.00	400-1000mm	±0.30	±0.80	±2.00	±3.00	1000-2000mm	±0.50	±1.20	±3.00	±5.00	<table border="1"> <tr> <th>ANGULAR</th> <th>Fine</th> <th>Medium</th> <th>Coarse</th> <th>Very Coarse</th> </tr> <tr> <td><10mm</td> <td>±1°</td> <td>±1°30'</td> <td>±1°</td> <td>±3°</td> </tr> <tr> <td>10-50mm</td> <td>±30'</td> <td>±1°</td> <td>±1°</td> <td>±2°</td> </tr> <tr> <td>50-120mm</td> <td>±20'</td> <td>±30'</td> <td>±30'</td> <td>±1°</td> </tr> <tr> <td>120-400mm</td> <td>±10'</td> <td>±15'</td> <td>±30'</td> <td>±1°</td> </tr> <tr> <td>>400mm</td> <td>±5'</td> <td>±10'</td> <td>±20'</td> <td>±1°</td> </tr> </table>		ANGULAR	Fine	Medium	Coarse	Very Coarse	<10mm	±1°	±1°30'	±1°	±3°	10-50mm	±30'	±1°	±1°	±2°	50-120mm	±20'	±30'	±30'	±1°	120-400mm	±10'	±15'	±30'	±1°	>400mm	±5'	±10'	±20'	±1°
LINEAR	Fine	Medium	Coarse	Very Coarse																																																																					
<3mm	±0.05	±0.10	±0.15	±0.20																																																																					
3-6mm	±0.05	±0.10	±0.20	±0.30																																																																					
6-30mm	±0.10	±0.20	±0.50	±1.00																																																																					
30-120mm	±0.15	±0.30	±0.80	±1.20																																																																					
120-400mm	±0.20	±0.50	±1.20	±2.00																																																																					
400-1000mm	±0.30	±0.80	±2.00	±3.00																																																																					
1000-2000mm	±0.50	±1.20	±3.00	±5.00																																																																					
ANGULAR	Fine	Medium	Coarse	Very Coarse																																																																					
<10mm	±1°	±1°30'	±1°	±3°																																																																					
10-50mm	±30'	±1°	±1°	±2°																																																																					
50-120mm	±20'	±30'	±30'	±1°																																																																					
120-400mm	±10'	±15'	±30'	±1°																																																																					
>400mm	±5'	±10'	±20'	±1°																																																																					
LAVAVAJILLAS		DESIGNED BY: M.MAILLO																																																																							
12048560		VALIDATED BY: X.Iruretagoyena																																																																							
REVISION		DATE: 30.01.2013																																																																							
PROPOSED BY:		SHEET: 1 / 1																																																																							
		SCALE:																																																																							
		ISSUE DATE:																																																																							

AD 505, 125

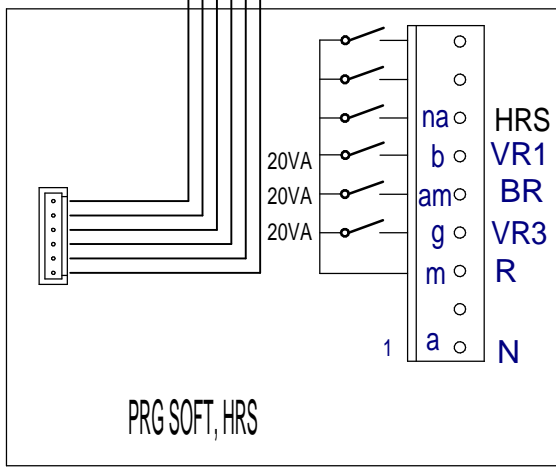
230 V 1 N,

230 V
3 Ph

400 V
3N



12041027



- Esquema Teorico AD 505, 125		- 12041027																																									
Nº	TITLE	QTY	CODE																																								
GENERAL TOLERANCES: ISO 2768-1 Very Coarse		MATERIAL																																									
<table border="1"> <tr> <th>LINEAR</th> <th>Fine</th> <th>Medium</th> <th>Coarse</th> <th>Very Coarse</th> </tr> <tr> <td><3mm</td> <td>±0.05</td> <td>±0.10</td> <td>±0.15</td> <td>±0.20</td> </tr> <tr> <td>3-6mm</td> <td>±0.05</td> <td>±0.10</td> <td>±0.20</td> <td>±0.30</td> </tr> <tr> <td>6-30mm</td> <td>±0.10</td> <td>±0.20</td> <td>±0.50</td> <td>±0.80</td> </tr> <tr> <td>30-120mm</td> <td>±0.15</td> <td>±0.30</td> <td>±0.80</td> <td>±1.20</td> </tr> <tr> <td>120-400mm</td> <td>±0.20</td> <td>±0.50</td> <td>±1.20</td> <td>±2.00</td> </tr> <tr> <td>400-1000mm</td> <td>±0.30</td> <td>±0.80</td> <td>±2.00</td> <td>±3.00</td> </tr> <tr> <td>1000-2000mm</td> <td>±0.50</td> <td>±1.20</td> <td>±3.00</td> <td></td> </tr> </table>		LINEAR	Fine	Medium	Coarse	Very Coarse	<3mm	±0.05	±0.10	±0.15	±0.20	3-6mm	±0.05	±0.10	±0.20	±0.30	6-30mm	±0.10	±0.20	±0.50	±0.80	30-120mm	±0.15	±0.30	±0.80	±1.20	120-400mm	±0.20	±0.50	±1.20	±2.00	400-1000mm	±0.30	±0.80	±2.00	±3.00	1000-2000mm	±0.50	±1.20	±3.00			
LINEAR	Fine	Medium	Coarse	Very Coarse																																							
<3mm	±0.05	±0.10	±0.15	±0.20																																							
3-6mm	±0.05	±0.10	±0.20	±0.30																																							
6-30mm	±0.10	±0.20	±0.50	±0.80																																							
30-120mm	±0.15	±0.30	±0.80	±1.20																																							
120-400mm	±0.20	±0.50	±1.20	±2.00																																							
400-1000mm	±0.30	±0.80	±2.00	±3.00																																							
1000-2000mm	±0.50	±1.20	±3.00																																								
<table border="1"> <tr> <th>ANGULAR</th> <th>Fine</th> <th>Medium</th> <th>Coarse</th> <th>Very Coarse</th> </tr> <tr> <td><10mm</td> <td>±1°</td> <td>±1°</td> <td>±1°</td> <td>±3°</td> </tr> <tr> <td>10-50mm</td> <td>±30'</td> <td>±1°</td> <td>±30'</td> <td>±1°</td> </tr> <tr> <td>50-120mm</td> <td>±20'</td> <td>±30'</td> <td>±30'</td> <td>±1°</td> </tr> <tr> <td>120-400mm</td> <td>±10'</td> <td>±15'</td> <td>±30'</td> <td></td> </tr> <tr> <td>>400mm</td> <td>±5'</td> <td>±10'</td> <td>±20'</td> <td></td> </tr> </table>		ANGULAR	Fine	Medium	Coarse	Very Coarse	<10mm	±1°	±1°	±1°	±3°	10-50mm	±30'	±1°	±30'	±1°	50-120mm	±20'	±30'	±30'	±1°	120-400mm	±10'	±15'	±30'		>400mm	±5'	±10'	±20'		DESIGNED BY: M.MAILLO VALIDATED BY: X.Iruretagoyena DATE: 21.01.2015											
ANGULAR	Fine	Medium	Coarse	Very Coarse																																							
<10mm	±1°	±1°	±1°	±3°																																							
10-50mm	±30'	±1°	±30'	±1°																																							
50-120mm	±20'	±30'	±30'	±1°																																							
120-400mm	±10'	±15'	±30'																																								
>400mm	±5'	±10'	±20'																																								
LAVAVAJILLAS		SHEET: 1 / 1																																									
12041027		SCALE:																																									
REVISION		PROPOSED BY: M.MAILLO																																									
		ISSUE DATE:																																									

