

**PICADORAS DE CARNE
PS-22 / PS-32**
**MINCERS
PS-22 / PS-32**
**HACHOIRS À VIANDE
PS-22 / PS-32**

N.	Denominación	Description	Dénomination	Cod.
1a	Tuerca boca aluminio PS-22	PS-22 Alum. retaining nut	Écrou de blocage alum. PS-22	2051003
1b	Tuerca boca aluminio PS-32	PS-32 Alum. retaining nut	Écrou de blocage alum. PS-32	2052003
1c	Tuerca boca inox PS-32	PS-32 st.st. retaining nut	Écrou de blocage inox PS-32	2051783
1d	Tuerca boca inox PS-22	PS-22 st.st. retaining nut	Écrou de blocage inox PS-22	2051537
2	Mazo presor	Pusher	Pilon	2051007
3a	Cuchilla Enterprise PS-22	PS-22 Blade Enterprise	Lame Enterprise PS-22	2051015
3b	Cuchilla Enterprise PS-32	PS-32 Blade Enterprise	Lame Enterprise PS-32	2052015
3c	Cuchilla unger PS-22	PS-22 Blade unger	Lame unger PS-22	2051520
3d	Cuchilla unger PS-32	PS-32 Blade unger	Lame unger PS-32	2051770
4a	Eje sinfin Enterprise PS-22	PS-22 Worm drive shaft Enterprise	Vis sans-fin Enterprise PS-22	2051016
4b	Eje sinfin Enterprise PS-32	PS-32 Worm drive shaft Enterprise	Vis sans-fin Enterprise PS-32	2052016
4c	Eje sinfin unger PS-22	PS-22 Worm drive shaft unger	Vis sans-fin unger PS-22	2051489
4d	Eje sinfin unger PS-32	PS-32 Worm drive shaft unger	Vis sans-fin unger PS-32	2051789
5a	Placa corte Enterprise PS-22 ø3	Mesh plate Enterprise PS-22 ø3	Plaque perforée Enterprise PS-22 ø3	2051051
5b	Placa corte Enterprise PS-32 ø3	Mesh plate Enterprise PS-32 ø3	Plaque perforée Enterprise PS-32 ø3	2052051
5c	Placa corte Enterprise PS-22 ø4,5	Mesh plate Enterprise PS-22 ø4,5	Plaque perforée Enterprise PS-22 ø4,5	2051014
5d	Placa corte Enterprise PS-32 ø4,5	Mesh plate Enterprise PS-32 ø4,5	Plaque perforée Enterprise PS-32 ø4,5	2052014
5e	Placa corte Enterprise PS-22 ø6	Mesh plate Enterprise PS-22 ø6	Plaque perforée Enterprise PS-22 ø6	2051052
5f	Placa corte Enterprise PS-32 ø6	Mesh plate Enterprise PS-32 ø6	Plaque perforée Enterprise PS-32 ø6	2052052
5g	Placa corte Enterprise PS-22 ø8	Mesh plate Enterprise PS-22 ø8	Plaque perforée Enterprise PS-22 ø8	2051053
5h	Placa corte Enterprise PS-32 ø8	Mesh plate Enterprise PS-32 ø8	Plaque perforée Enterprise PS-32 ø8	2052053
6a	Placa corte unger PS-22 ø3 mm	Mesh plate unger PS-22 ø3mm	Plaque perforée unger PS-22 ø3mm	2051524
6b	Placa corte unger PS-22 ø4,5 mm	Mesh plate unger PS-22 ø4,5mm	Plaque perforée unger PS-22 ø4,5mm	2051525
6c	Placa corte unger PS-22 ø6 mm	Mesh plate unger PS-22 ø6mm	Plaque perforée unger PS-22 ø6mm	2051526
6d	Placa corte unger PS-22 ø8 mm	Mesh plate unger PS-22 ø8mm	Plaque perforée unger PS-22 ø8mm	2051527
6g	Placa corte unger PS-32 ø3 mm	Mesh plate unger PS-32 ø3mm	Plaque perforée unger PS-32 ø3mm	2051774
6h	Placa corte unger PS-32 ø4,5 mm	Mesh plate unger PS-32 ø4,5mm	Plaque perforée unger PS-32 ø4,5mm	2051775
6i	Placa corte unger PS-32 ø6 mm	Mesh plate unger PS-32 ø6mm	Plaque perforée unger PS-32 ø6mm	2051776
6j	Placa corte unger PS-32 ø8 mm	Mesh plate unger PS-32 ø8mm	Plaque perforée unger PS-32 ø8mm	2051777
7a	Placa precorte unger PS-22	Precut mesh plate unger PS-22	Plaque pré-découpe unger PS-22	2051530
7b	Placa precorte unger PS-32	Precut mesh plate unger PS-32	Plaque pré-découpe unger PS-32	2051780
10	Conjunto carrocería	Body set	Ens. châsis	2051405
11	Base carrocería	Body base	Base chassis	2051408
12	Pomo	Knob	Pommeau	2051410
13a	Motor 230/400V III 50Hz PS-22	PS-22 230/400V III 50 Hz Motor	Moteur 230/400V III 50Hz PS-22	2051420
13b	Motor 230/400V III 50Hz PS-32	PS-32 230/400V III 50 Hz Motor	Moteur 230/400V III 50Hz PS-32	2051421
13c	Motor 230V II 50Hz PS-22	PS-22 230V II 50 Hz Motor	Moteur 230V II 50Hz PS-22	2051422
13d	Motor 230/400V III 60Hz PS-22	PS-22 230/400V III 60 Hz Motor	Moteur 230/400V III 60Hz PS-22	2051423
13e	Motor 230/400V III 60Hz PS-32	PS-32 230/400V III 60 Hz Motor	Moteur 230/400V III 60Hz PS-32	2051424
13f	Motor 230V II 60Hz PS-22	PS-22 230V II 60 Hz Motor	Moteur 230V II 60Hz PS-22	2051425
14a	Sinfin aluminio Enterprise PS-22	PS-22 Alum. Enterprise worm drive	Vis sans-fin alum. Enterprise PS-22	2051445
14b	Sinfin aluminio Enterprise PS-32	PS-32 Alum. Enterprise worm drive	Vis sans-fin alum. Enterprise PS-32	2051747
14c	Sinfin inox PS-22	PS-22 Inox worm drive	Vis sans-fin inox PS-22	2051486
14d	Sinfin inox Enterprise PS-32	PS-32 Inox worm drive	Vis sans-fin inox PS-32	2051786
15	Adhesivo	Adhesive	Adhésif	2051455
16	Guía	Guide	Guide	2051457
17	Eje fijación boca	Body setting shaft	Axe fixation bouche	2051458
18	Pasamuros	Cord inlet	Passe-mur	2051462
19	Engrane motor Z-21	Z-21 Motor gear	Engrenage moteur Z-21	2051465
20	Eje intermedio	Medium shaft	Axe intermédiaire	2051472

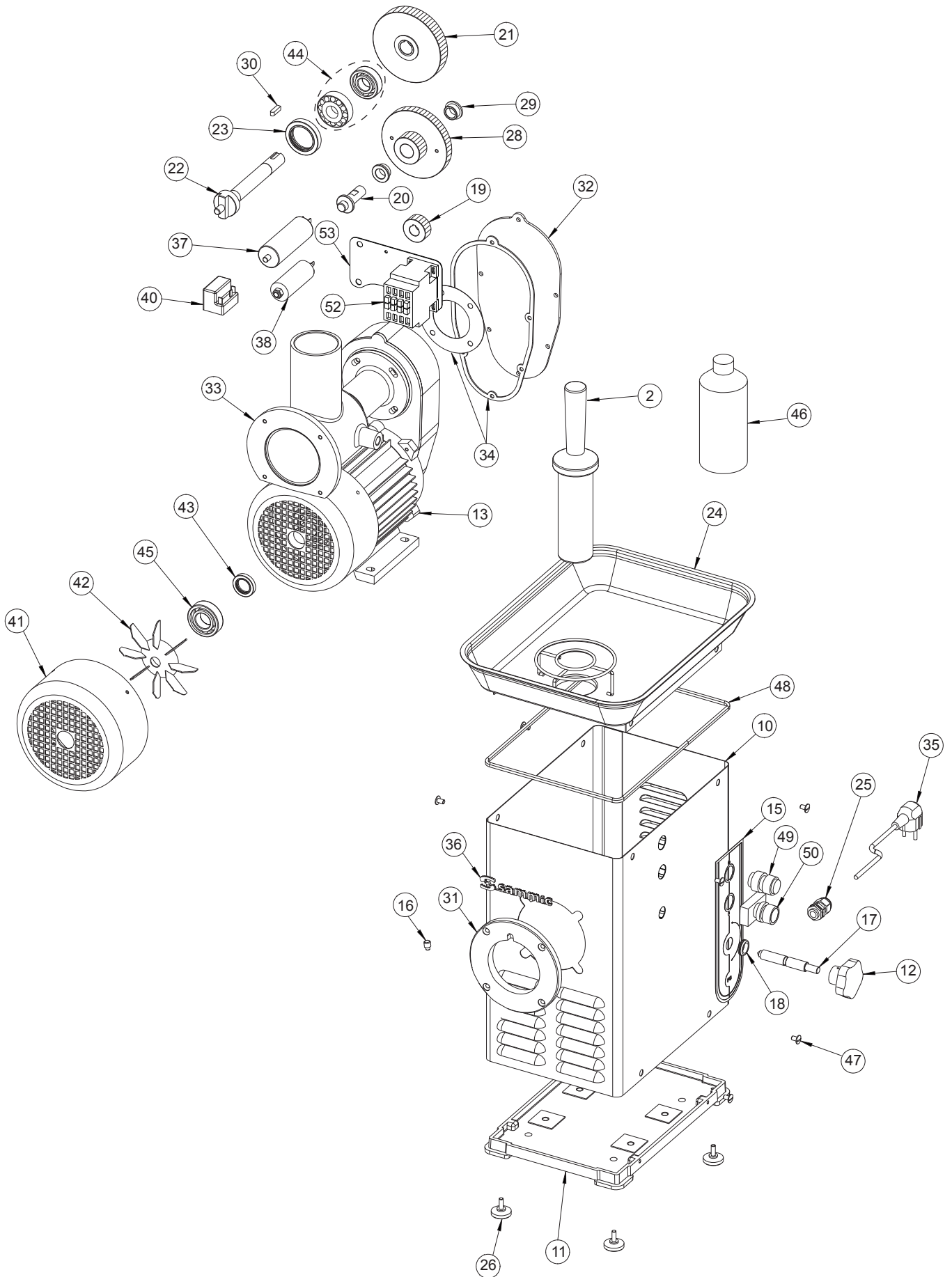
**PICADORAS DE CARNE
PS-22 / PS-32**
**MINCERS
PS-22 / PS-32**
**HACHOIRS À VIANDE
PS-22 / PS-32**

N.	Denominación	Description	Dénomination	Cod.
21	Engrane Z-52	Z-52 Gear	Engrenage Z-52	2051480
22	Eje rueda arrastre	Pulling wheel shaft	Axe entraînement	2051500
23	Retén	Retainer	Joint etancheite	2052008
24	Bandeja	Hooper	Trémie	2051710
25a	Prensaestopas <2013	Stuffing box <2013	Presse-étoupe <2013	2052260
25b	Prensaestopas ≥2013	Stuffing box ≥2013	Presse-étoupe ≥2013	2059118
26	Conj. Pies	Feet set	Ens. pieds	2310221
27a	Conj. boca aluminio PS-22	PS-22 alum. mouth set	Ens. bouche alum. PS-22	2059171
27b	Conj. boca aluminio PS-32	PS-32 alum. mouth set	Ens. bouche alum. PS-32	2059172
27c	Conj boca inox PS-22	PS-22 st.st. mouth set	Ens. bouche inox PS-22	2059183
27d	Conj boca inox Enterprise PS-32	PS-32 st.st. Enterprise mouth set	Ens. bouche inox Enterprise PS-32	2059184
27e	Conj boca inox Unger PS-32	PS-32 st.st. Unger mouth set	Ens. bouche inox Unger PS-32	2059197
28	Conj. engranes	Gear set	Ens. pignons	2059173
29	Conj. casquillo	Collar set	Ens. bague	2059174
30	Conj. chavetas	Cotter pins set	Ens. goupilles	2059175
31a	Conj. aro fijación PS-22	PS-22 Retaining ring set	Ens. anneau fixation PS-22	2059176
31b	Conj. aro fijación PS-32	PS-32 Retaining ring set	Ens. anneau fixation PS-32	2059177
32	Conj. tapa reductora	Reducing lid set	Ens. couvercle réducteur	2059178
33a	Conj. camisa boca PS-22	PS-22 Mouth sleeve set	Corps PS-22	2059180
33b	Conj. camisa boca PS-32	PS-32 Mouth sleeve set	Corps PS-32	2059181
34a	Conj. junta cierre	Closing gasket set	Ens. joint couvercle	2059182
35	Cable manguera III	Connection cord three phase	Gaîne câblage III	2051047
35b	Cable manguera monofásico	Connection cord single phase	Gaîne câblage monophasé	2141578
36	Adhesivo gota Sammic 120mm	Sammic logotype adhesive	Adhesif logo Sammic	2311298
37	Condensador 25 mf/450V	25 mf/450V Condenser	Condensateur 25 mf/450V	2501407
38	Condensador 50mf/250V arranque	Starting condenser 50 mf/250V	Condensateur 50 mf/450V démarrage	2003778
39a	Aro suplemento Enterprise PS-22	Supplement hoop Enterprise PS-22	Anneau supplément Enterprise PS-22	2051535
39b	Aro suplemento Enterprise PS-32	Supplement hoop Enterprise PS-32	Anneau supplément Enterprise PS-32	2051781
39c	Aro suplemento unger PS-22	Supplement hoop unger PS-22	Anneau supplément unger PS-22	2051536
39d	Aro suplemento unger PS-32	Supplement hoop unger PS-32	Anneau supplément unger PS-32	2051782
40	Rele arranque	Starting relay	Relais démarrage	2051427
41	Tapa motor	Motor cover	Cache moteur	2059185
42	Ventilador motor	Motor fan	Ventilateur moteur	2059186
43	Conj. retenes reduc+motor PS	Reducing stop + motor set	Ens. joints étanch. d´redue+moteur PS	2059187
44	Conj. rodamiento reductora PS	Reducing bearing set	Ens. roulement réducteur PS	2059188
45	Conj. rodamiento motor PS	PS Motor bearing set	Ens. roulement moteur PS	2059189
46	Bidón aceite 500 cc	500cc Oil can	Bidon d´huile 500cc	2059190
47	Conj. torn carroc+base+bandeja	Body srew + base + tray set	Ens. vis châsis+base+trémie	2059191
48	Junta goma	Rubber gasket	Joint caoutchouc	2059192
49	Pulsador paro	Stop button	Poussoir arrêt	2500493
50	Pulsador marcha	Start button	Poussoir marche	2500491
51	Pomo tuerca boca	Retaining nut knob	Pomeau écrou de blocage	2051414
52	Contactador A9-4000 220/230 50Hz	Contactador A9-4000 220/230 50Hz	Contacteur A9-4000 220/230 50Hz	2600123
53	Chapa soporte contactor	Contactador holder sheet	Tole support contacteur	2051467

Nota: Todas estas especificaciones están sujetas a cambio sin previo aviso, debido a la permanente mejora del producto.

Note: These specifications are subject to change without prior notice due to continuous product improvement.

Note: Toutes ces spécifications peuvent être modifiées sans préavis dû à une permanente amélioration du produit.



Unger

Enterprise

